

NOMAD[®] TRANSFORMER[®]

200-1200 | 200-1200-TC

PRODUCT MANUAL

TABLE OF CONTENTS

INTRODUCTION

Reference Guide	3 – 4
Overview & Physical Characteristics	5
Warnings	6

BATTERY

Charging the Power Pack	6
Charge Indicator	7

OPERATION

Operational Modes	7
Battery Life & Battery Life Indicator	7
Using the Nomad® while Plugged in	8
Driving or Charging from a 12-24V Battery	8

FEATURES

Light Head Configuration	9
Sliding Diffuser Lens (Area-Spot)	9
Wind-Resistance Pole	9
Swivel and Tilt Light Head	10
Stabilizing Foot & Level Bubble	10
12.9 ft (3.9 m) Height	11
Remote Key Fob Use	11

NOMAD® TRANSFORMER® LEASH	12
----------------------------------	----

DEPLOYING THE NOMAD® WITH NO TRIPO-SCOPE®	13
--	----

FULLY DEPLOYING THE NOMAD®	14 – 15
-----------------------------------	---------

DEPLOYING THE NOMAD® WITH EXTENSION	16
--	----

TRANSFORMER® HEIGHT GUIDE	17
----------------------------------	----

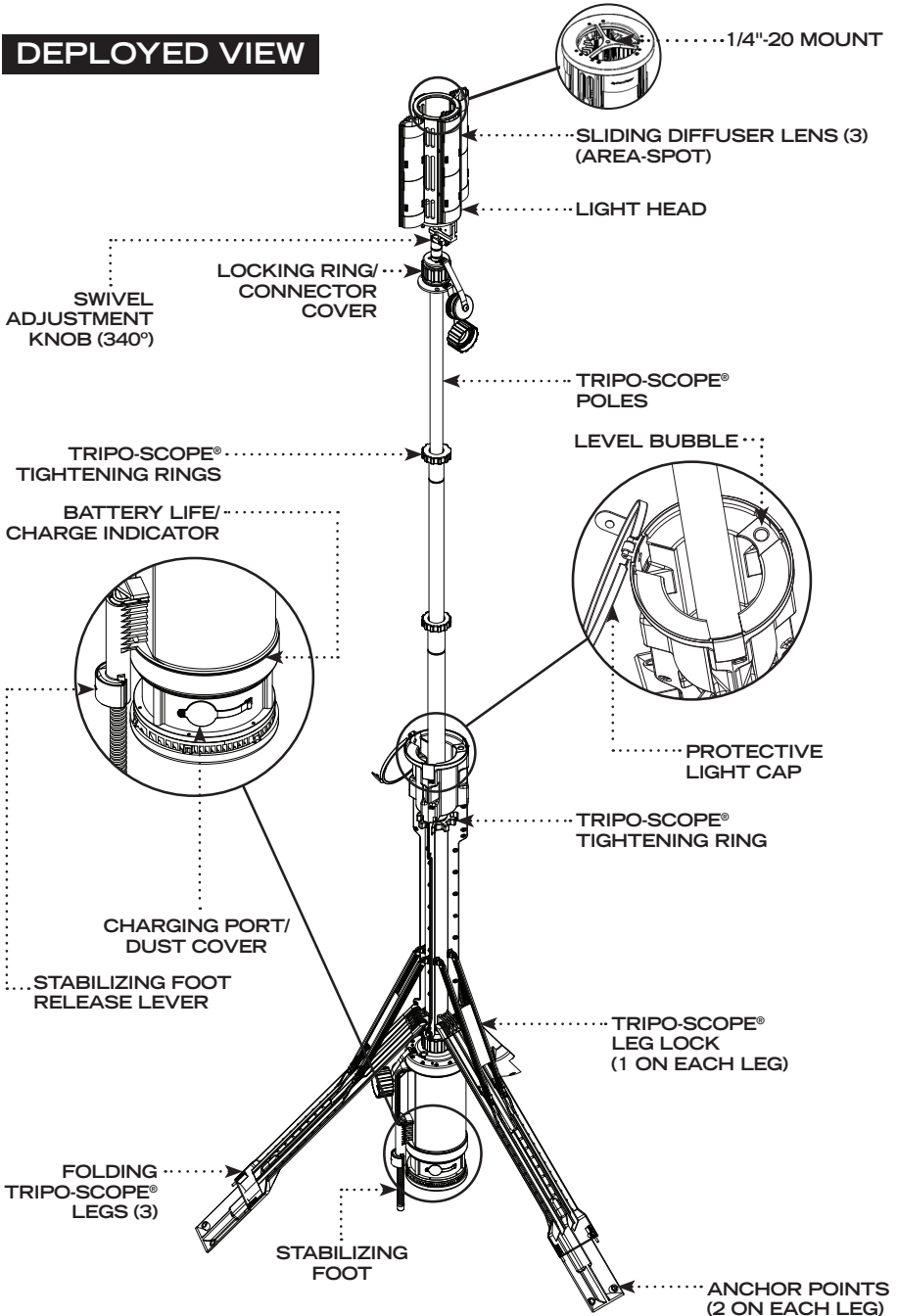
MAINTENANCE	18 - 19
--------------------	---------

WARRANTY	20 - 21
-----------------	---------

CONTACT FOXFURY	21
------------------------	----

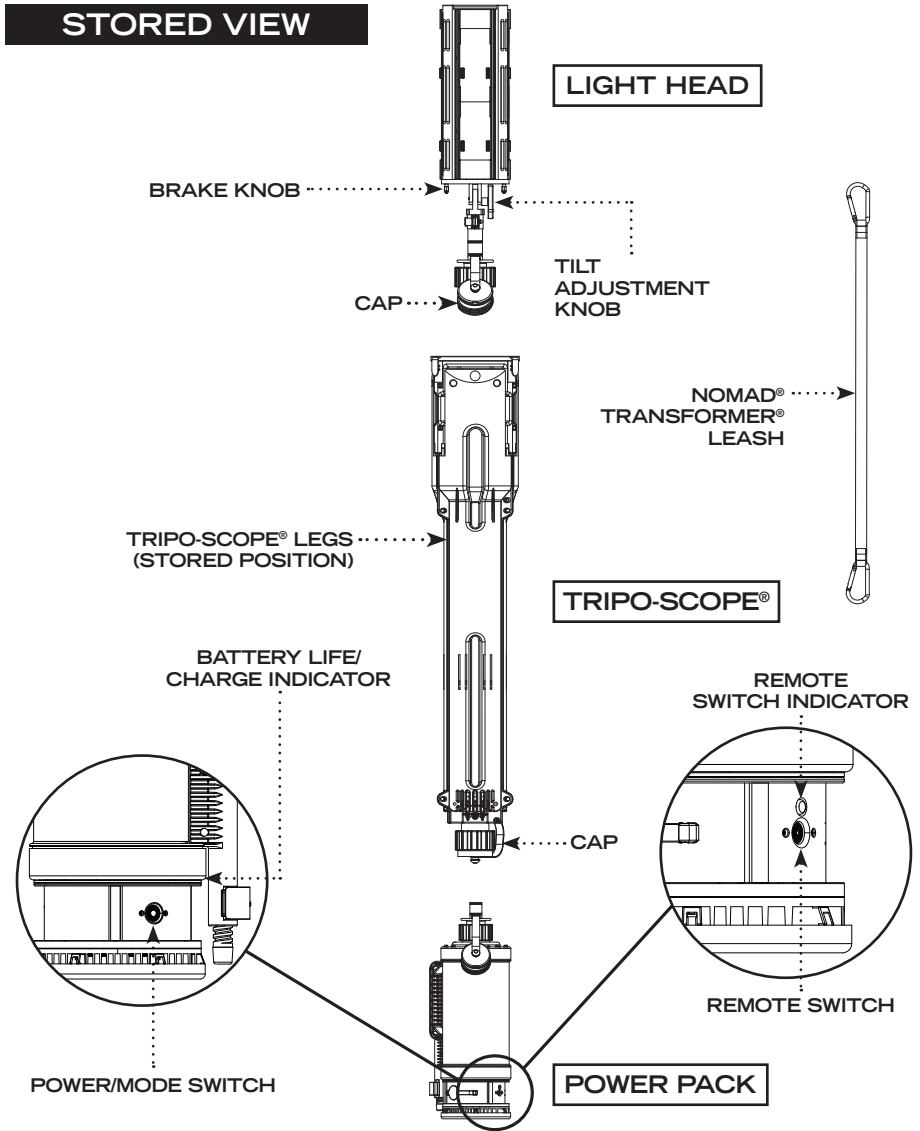
TRANSFORMER® REFERENCE GUIDE

DEPLOYED VIEW



TRANSFORMER® REFERENCE GUIDE

STORED VIEW



ALSO INCLUDED

- ❖ Nomad® Transformer® Light Head Bag
- ❖ AC Adaptor and DC Cord Set
- ❖ FoxFury Duffel Bag
- ❖ Remote Key Fob
- ❖ 3M Reflective (Yellow) Safety Tape Strips
- ❖ Carry Strap
- ❖ 3M Reflective (Yellow) 12" Tape Strips
- ❖ Nomad® Transformer® Leash

OVERVIEW

This ultimate scene light provides up to 17,600 lumens on HIGH power. Its portable, waterproof and self-contained design allows it to travel and be used in places that standard scene lights cannot reach. The Transformer® comes in three (3) pieces (Light Head, Tripo-Scope®, and Power Pack). In around 90 seconds, deploy the Tripo-Scope® Legs and raise the Light Head up to 12.9 ft (3.9 m) to illuminate the work area. The rechargeable and cordless design means no noisy, heavy generator is needed.

⚡ The Nomad® Transformer® is shipped with a 30% charge. It is important to charge Power Pack before using it for the first time.

PHYSICAL CHARACTERISTICS

Please read below before using the Nomad® Transformer® as it relays beneficial operating and safety information.

LIGHT HEAD (P/N 200-515-L)

DIMENSIONS (W X H)	11 x 24 in (279 x 610 mm) - Directional 6 x 24 in (152 x 610 mm) - 360
WEIGHT	10.2 lbs (4.6 kg)

TRIPO-SCOPE® (P/N 200-513-T)

DIMENSIONS (W X H)	7.3 x 41.5 in (185 x 1,054 mm) - Stored 10.9 ft (3.3 m) - Deployed, without Light Head
WEIGHT	24.9 lbs (11.3 kg)

POWER PACK (P/N 200-514-E)

DIMENSIONS (W X H)	6.5 x 19 in (165 x 483 mm)
WEIGHT	18.4 lbs (8.35 kg)

WARNINGS



Please fully charge the Power Pack before using the Nomad® Transformer® for the first time.



Do not stare into LEDs for long periods of time or from a close range (less than 2 ft or 0.6 m).



When used for extended periods of time the Nomad® Light Head will become HOT to the touch. Please use care when operating.



Be sure to rinse the Nomad® Transformer® with fresh water immediately after use in the ocean or a pool.



Do not connect power to the Power Pack until the Charging Port is dry and clear of debris.

CHARGING THE POWER PACK

1 Plug AC Power Cord of AC-DC Adaptor into a wall outlet or power source.

❖ The AC Power Cord is Universal to NEMA 5-15P, 3 prong for USA and will work with a power range of 100VAC–240VAC 50/60 Hz and 277VAC for North America only, 50/60 Hz.

2 The 5 PIN Connector has a white dot. Make sure that it is pointing up. Plug the 5 PIN Connector into the Charging Port of the Power Pack. Turn the blue Locking Ring to secure the connector.

❖ Input voltage: 12–24VDC.

❖ When the Charge Indicator FLASHES green, it indicates that the Power Pack is being charged. When the Nomad® Transformer® is completely charged, the Charge Indicator will turn solid green.

❖ Charging time is approximately 8 hours.

WARNINGS:

- Please DO NOT leave AC-DC Adaptor plugged in to Power Pack for more than eight (8) continuous hours.
- Continuously charging (leaving the unit plugged in) could damage the Battery Pack and lead to a decreased battery life.
- Extended periods of charge could also result in the batteries being placed in thermal runaway mode.
- Use of any non FoxFury supplied AC-DC Adaptor will void Product Warranty.

CHARGE INDICATOR (FOR LOCATION, PLEASE REFERENCE P. 3)

COLOR	DESCRIPTION
GREEN (SOLID)	FULLY CHARGED
GREEN (FLASHING)	CHARGING
RED (SOLID)	CHARGING ERROR*

*If a charging error occurs, please contact FoxFury Customer Service (see p. 21).

OPERATIONAL MODES

- ❖ ON/LOW mode: Press the Power/Mode Switch once.
- ❖ MEDIUM mode: From LOW mode, press the Power/Mode Switch once.
- ❖ HIGH mode: From MEDIUM mode, press the Power/Mode Switch once.
- ❖ OFF: From HIGH mode, press the Power/Mode Switch once.

NOTE: The light does not retain the mode in memory. Once the light is ON, re-select the mode desired.

BATTERY LIFE

MODE	BATTERY LIFE*	LUMENS
HIGH POWER	3 hours*	17,600
MEDIUM POWER	9 hours*	7,700
LOW POWER	24 hours*	3,300

*Battery life may vary according to age and ambient conditions.

BATTERY LIFE INDICATOR (FOR LOCATION, PLEASE REFERENCE P. 3)

COLOR	DESCRIPTION
GREEN	FULL BATTERY
ORANGE	CAUTION—BATTERY IS GETTING LOW
RED (FLASHING)	CHARGE IMMEDIATELY

USING THE NOMAD® TRANSFORMER® WHILE PLUGGED IN

The Nomad® Transformer® can run continuously by plugging it into a power source.

- 1 Plug the AC Power Cord of AC-DC Adaptor into a wall outlet or inverter.
- 2 The 5 PIN Connector has a white dot. Make sure that it is pointing up. Plug the 5 PIN Connector into the Charging Port of the Nomad®. Turn the blue Locking Ring to secure the connector.
- 3 Press the Power/Mode Switch. The light will then turn ON.

⚡ Input voltage: 12-24VDC.

⚡ The Nomad® must be turned OFF in order to charge the Power Pack. If it is plugged in and the Nomad® is ON, the Power Pack is NOT being charged.

NOTE: The Nomad® Transformer® will accept a 24VDC input.

DRIVING OR CHARGING FROM A 12-24V BATTERY

Use the provided DC cable.

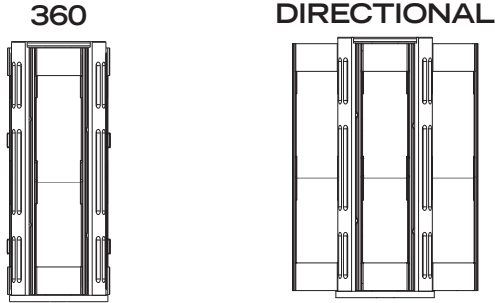
- 1 Route and secure the cable(s) as needed.
- 2 Connect the positive (+) cable to the positive (+) battery terminal. Then, connect the negative (-) cable to the negative (-) battery terminal.
- 3 Plug the 5 PIN connector into the Charging Port of the Nomad®. Turn the blue Connector Locking Ring until the Charging Cable is securely fastened.

NOTE: There is a 20AMP in-line fuse installed on the positive (+) wire of the DC Cable. If the fuse is in need of replacement, any 20AMP automotive fuse should work as a suitable replacement. Make sure the fuse is securely pressed into position during replacement and the dust cover is properly re-installed.

FEATURES

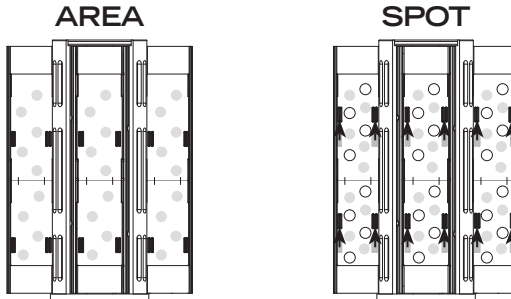
LIGHT HEAD CONFIGURATION

The Nomad® Transformer® Light Head has the versatility to be used in a 360 or Directional configuration.



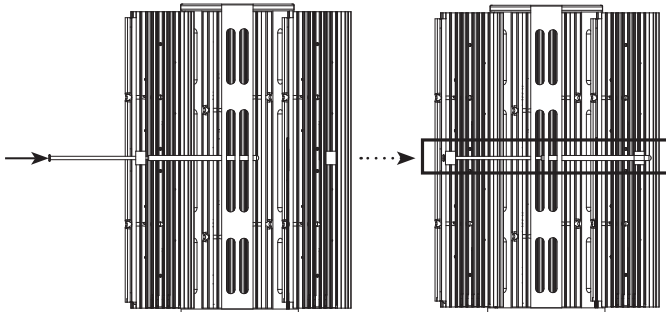
SLIDING DIFFUSER LENS (AREA-SPOT)

Using the Sliding Diffuser Lens on the Nomad® Transformer® provides two types of lights in one, Area or Spot. NOTE: The Sliding Diffuser Lens can be removed and cleaned for maintenance (please reference p. 18).



WIND-RESISTANCE POLE

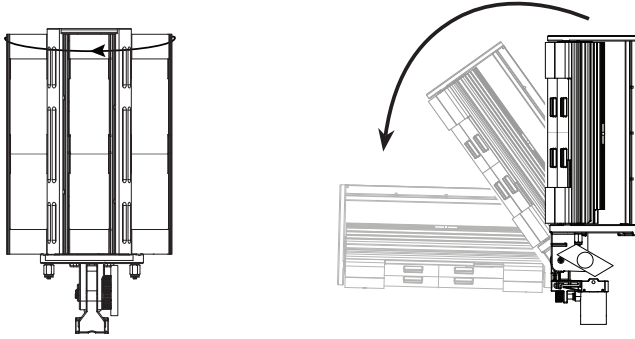
In stronger winds, the Wind-Resistance Pole can be utilized to prevent the Light Head panels from closing.



FEATURES (CONT'D)

SWIVEL AND TILT LIGHT HEAD

The Nomad® Transformer® Light Head has the versatility to swivel (via the Swivel Adjustment Knob) and tilt (via the Tilt Adjustment Knob).

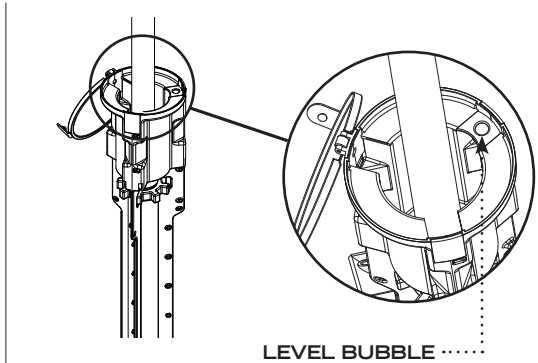
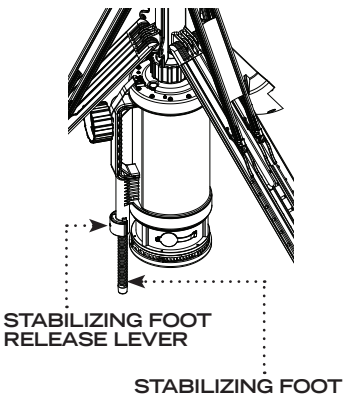


STABILIZING FOOT

Release Stabilizing Foot to provide stability to the deployed Tripo-Scope®.

LEVEL BUBBLE

On uneven ground, fine adjustments can be made by adding spacers under legs. The Level Bubble can be used for reference.



12.9 FT (3.9 M) HEIGHT

The 12.9 ft (3.9 m) height allows the Nomad® Transformer® to be deployed to reach over and illuminate most tall vehicles such as firetrucks and ambulances.

REMOTE KEY FOB USE

TO ACTIVATE THE REMOTE KEY FOB

- ❖ Press the Remote Switch on the Power Pack once and make sure the green indicator light is ON.

TO DEACTIVATE THE KEY FOB

- ❖ Press the Remote Switch on the Power Pack once and make sure the green indicator light is OFF.

REMOTE KEY FOB FEATURES

- ❖ The Remote Key Fob functions at 20 ft (6.1 m) with interference between the light and the fob, 60 ft (18.3 m) with no interference. (This is the maximum distance that multiple units will operate in sync).
- ❖ The Remote Key Fob has the ability to cycle through the standard modes.
- ❖ Runs on one (1) 27A battery.

NOTE: While the Remote Key Fob is active, the Power/Mode Switch also functions. You may use the Power/Mode Switch on the Power Pack and the Remote Key Fob simultaneously.

IMPORTANT!

Make sure to turn OFF the Remote Switch when not in use to prevent battery drain OR accidental activation.

MULTIPLE NOMAD® TRANSFORMERS:

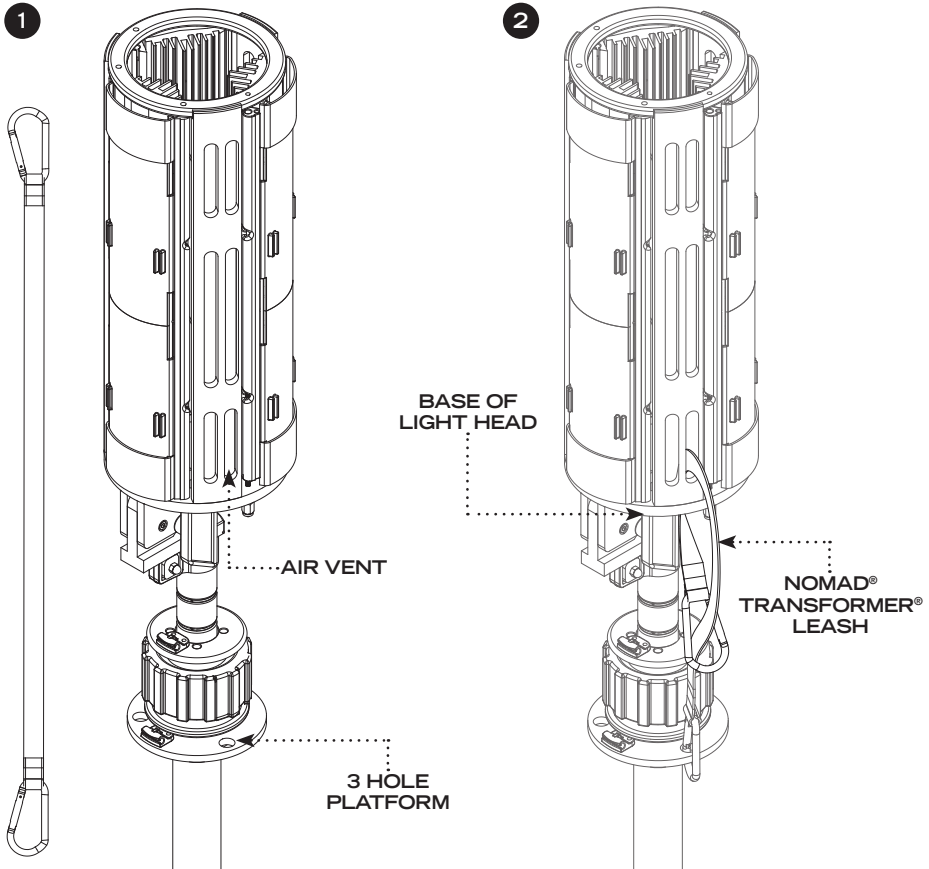
Multiple Nomad® Transformers share the same code, meaning that the included Remote Key Fob can be used for multiple Nomad® Transformers.

LOST REMOTE KEY FOBS

If the Remote Key Fob becomes lost, please contact FoxFury Customer Service (see p. 21).

NOMAD® TRANSFORMER® LEASH (P/N 51-034)

The Nomad® Transformer® Leash can be used as extra security when the Transformer® is used in high wind or with the optional Transformer® Extension (P/N 85-600).

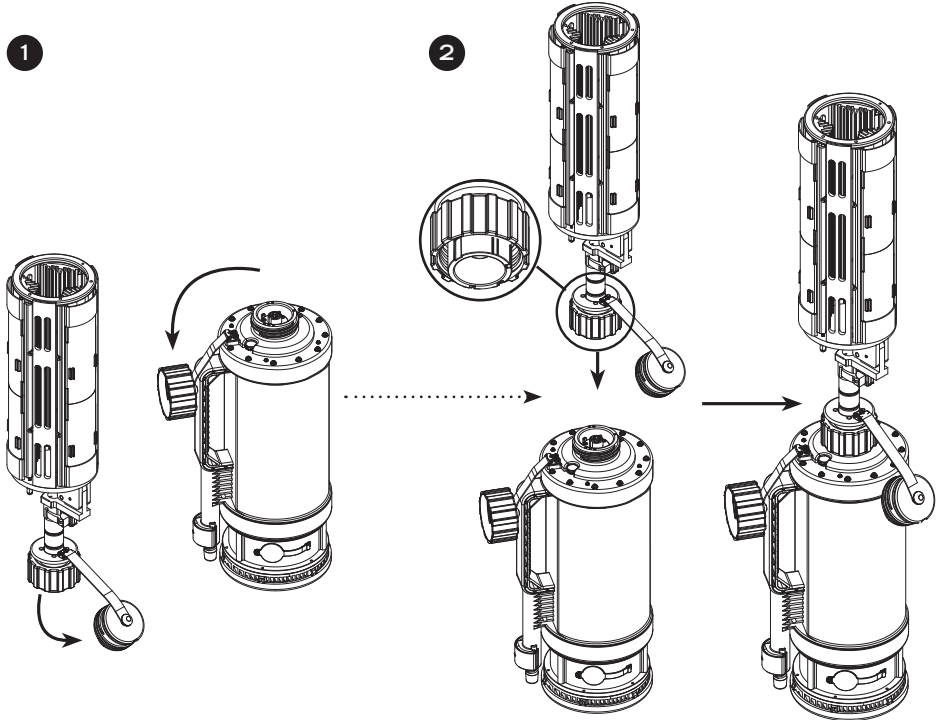


- 1** Begin with the Light Head installed on the Tripo-Scope® Pole or on the optional Nomad® Transformer® Extension. Make sure to have the Light Head at a reachable level so that the Transformer® Leash can be installed.
- 2** Take one end of the Leash and feed it through any lower Air Vent (see above) of the Light Head. Then, make sure to feed the Leash around the base of the Light Head (as pictured above). Make sure to secure the Leash to any of the holes on the 3 Hole Platform (see step 1 above) on the Tripo-Scope® Pole or the Nomad® Transformer® Extension.

The Nomad® Transformer® can now be raised to the desired height.

DEPLOYING THE NOMAD® WITH NO TRIPO-SCOPE®

This method allows the unit to be quickly deployed and be used in very tight spaces or on table tops.



Begin with the Light Head and Power Pack ONLY.

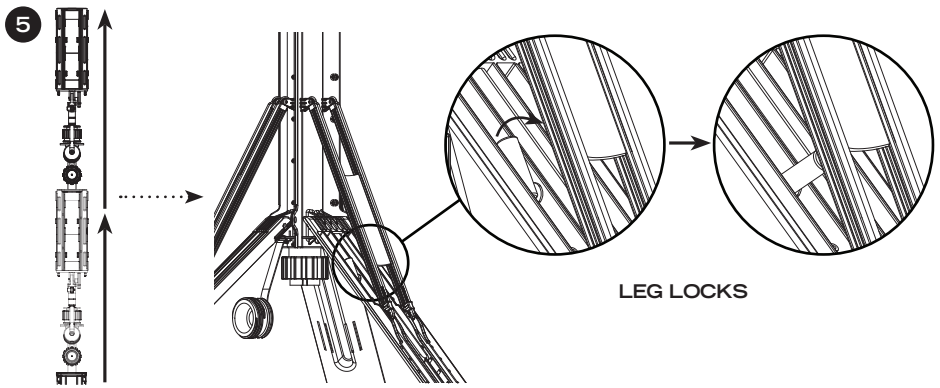
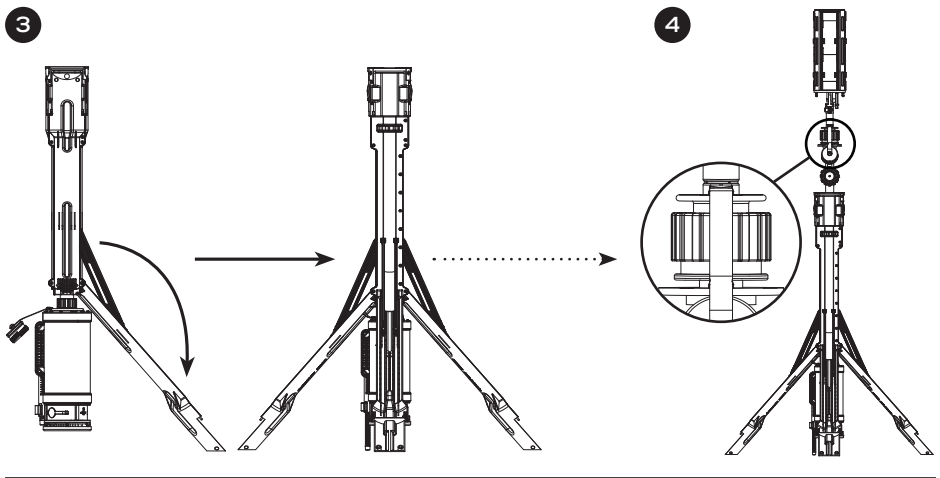
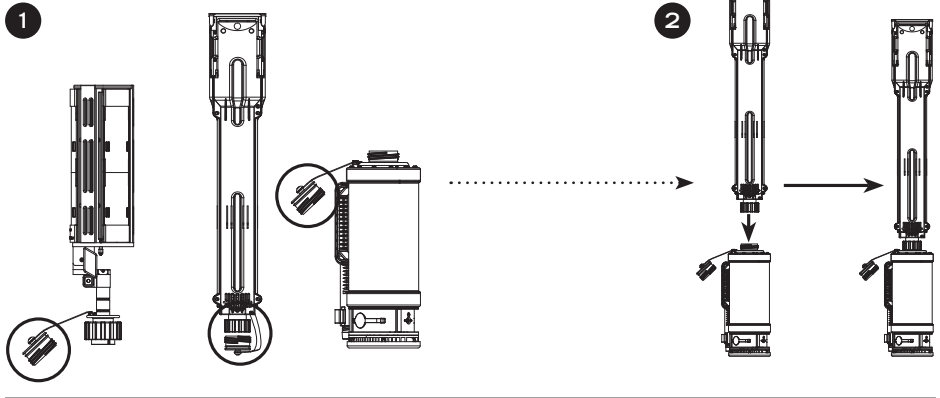
- 1 Remove the two (2) Caps from the Light Head and Power Pack (for location see p. 4). Then place the Power Pack on level ground.
- 2 Install the Light Head onto the Power Pack and line up the I, II, and III marks (printed underneath the Locking Ring of the Light Head and Power Pack — shown above). Once aligned with the correct marks, tighten the Locking Ring on the Light Head to secure both pieces together.

❖ Once completely installed, press the Power/Mode Switch to turn the Nomad® ON.

❖ Adjust the tilt and direction of the Light Head panels as necessary. Keep them as they are for a 360 configuration or, open them for a Directional configuration. Then, adjust the Sliding Diffuser Lens to either Area or Spot lighting (see p. 9).

NOTE: The Nomad® Transformer® Extension (P/N 85-600) can be used in between Light Head and Power Pack (see p. 16).

FULLY DEPLOYING THE NOMAD®



- 1 Unscrew all three (3) Caps from the three (3) different parts of the Nomad® Transformer® (Light Head, Tripo-Scope®, and Power Pack).
- 2 Once all Caps are removed, place the Tripo-Scope® onto the Power Pack (male end), line up the I, II, and III marks (shown on p. 13). Once aligned, tighten the Locking Ring to secure the Tripo-Scope® to the Power Pack. The folding Tripo-Scope® Legs are now ready to deploy.
- 3 Unfold each Tripo-Scope® Leg and make sure they are locked in place by the Leg Locks (see "Transformer® Reference Guide" on p. 3 for location).
- 4 Open the Protective Light Cap to raise the Tripo-Scope® Poles slightly (do NOT raise the poles all the way, as the Light Head still needs to be installed). Place the Light Head on top of the Tripo-Scope® Pole. Line up the I, II, and III marks then tighten the Locking Ring to secure the Light Head to the Tripo-Scope®.
 - ❖ Keep the Light Panels as they are for a 360 configuration, or open the Light Panels for a Directional configuration. Then, adjust the Sliding Diffuser Lens to either Area or Spot lighting (see p. 9).
 - ❖ Adjust the angle and swivel position of the Light Head by loosening the Tilt Adjustment Knob to the desired orientation and then re-tighten (see p.10).
 - ❖ NOTE: The Nomad® Transformer® Extension (P/N 85-600) can be used between Light Head and Tripo-Scope®. This will make Transformer® 15.7 ft (478 cm) tall.
- 5 Elevate the Light Head to desired height by raising the Tripo-Scope® Poles. Tighten the Tripo-Scope® Tightening Rings (clockwise) to hold the poles at desired height (see p.16 and 17).
 - ❖ IMPORTANT! To reposition, loosen the Tightening Rings, bring the Tripo-Scope® Poles down again, and turn the Light Head. Turning the Tripo-Scope® Poles against each other can cause permanent damage.
 - ❖ In case of heavy wind or extreme weather conditions, place stakes through the Anchor Points (only on dirt surfaces) to hold down the Nomad® (see "Transformer® Reference Guide" on p. 3 for location). The Tripo-Scope® Legs can also be reinforced by activating the Leg Locks (shown on p. 14).

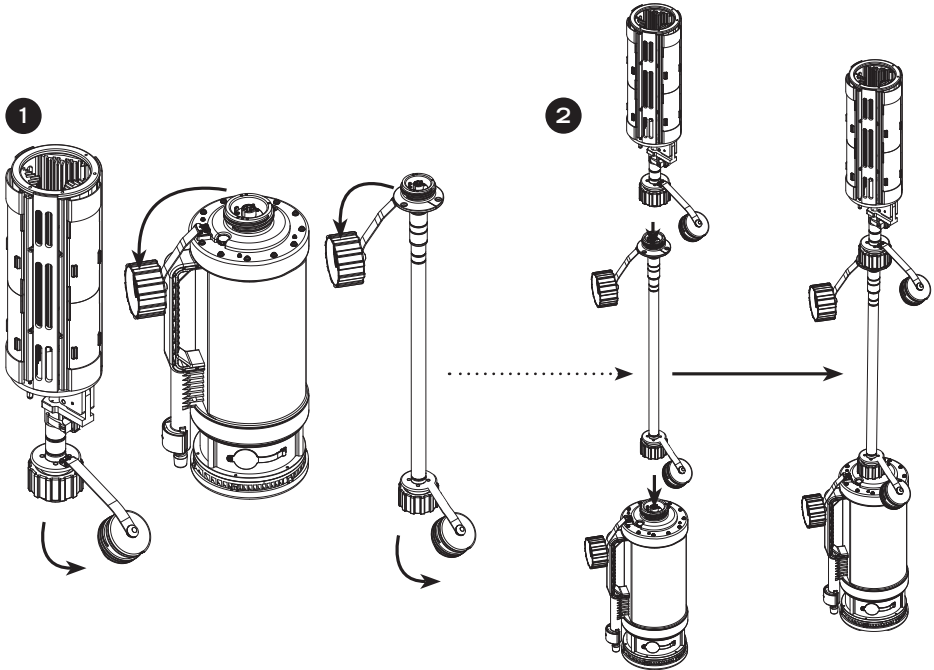
THE NOMAD® TRANSFORMER® IS NOW READY FOR USE!

WARNING!

The Nomad® Transformer® is heavy once fully assembled. If you need to move it once it is deployed, use a Team Lift approach with at least two people, OR disassemble and then reassemble at new location.

DEPLOYING THE NOMAD® WITH OPTIONAL EXTENSION (P/N 85-600)

This allows for a 7.3 ft (223 cm) tall unit that could be used in a more confined space.



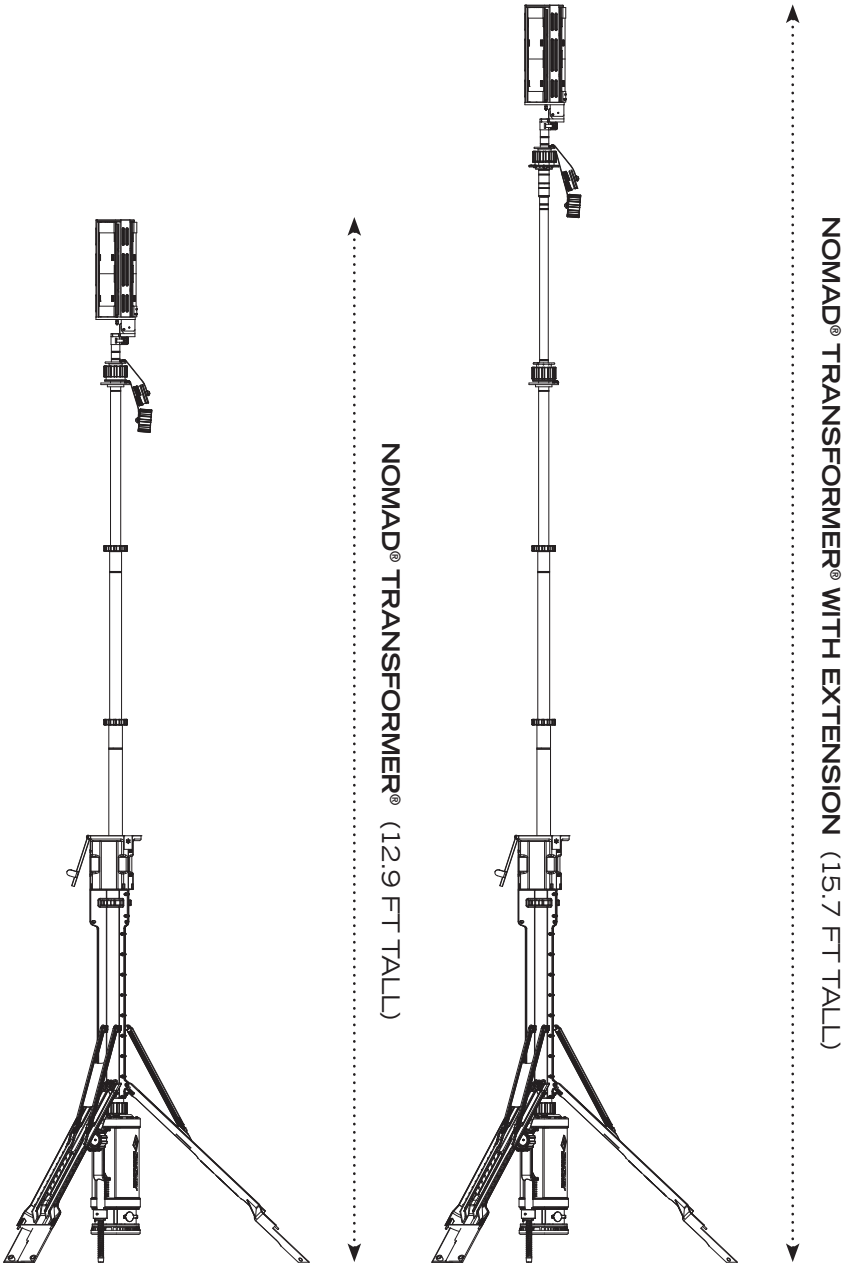
Begin with the Light Head, Power Pack, and the Nomad® Transformer® Extension, 2.8 ft (85 cm).

- 1 Remove all four (4) Caps from the Light Head, Power Pack, and the Nomad® Transformer® Extension. Then place the Power Pack on level ground.
- 2 Install the Nomad® Transformer® Extension onto the Power Pack and line up the I, II, and III marks (shown on p. 13). Once aligned with the marks, tighten the Locking Ring on the Extension. Then, install the Light Head onto the opposite end of the Extension and align the marks (I, II, III). Then, tighten the Locking Ring on the Light Head to secure both pieces together.

⚡ Once completely installed, press the Power/Mode Switch to turn the Nomad® ON.

TRANSFORMER® HEIGHT GUIDE

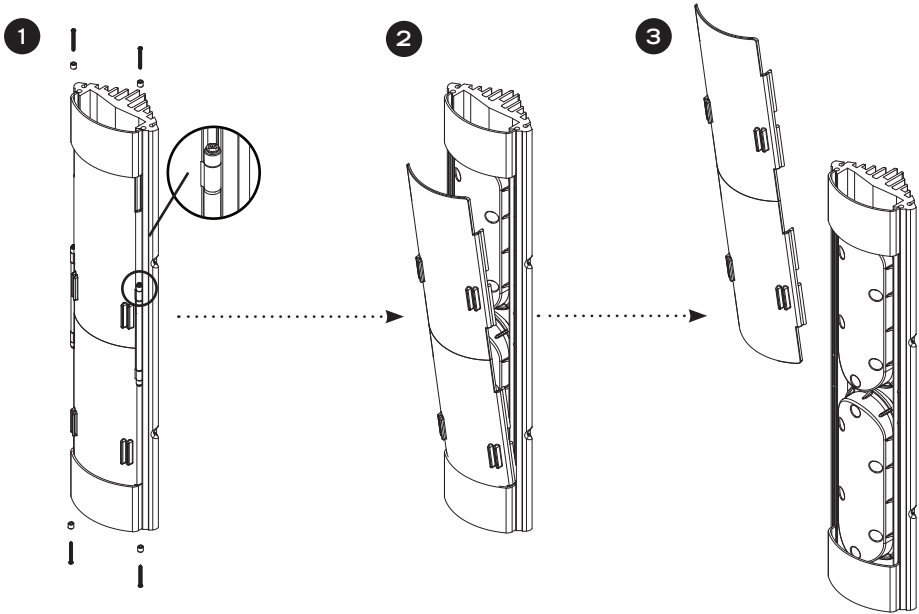
The Nomad® Transformer® can be used as is, or with the extension.



MAINTENANCE

REMOVING THE SLIDING DIFFUSER LENS

3 MINS ESTIMATED



- 1 Slide the Sliding Diffuser Lens back into the 'Area' setting (see "Light Head Configuration" on p. 9). Find and remove the four (4) screws located on each side of it.
- 2 Tilt the Sliding Diffuser Lens forward.
- 3 Pull the Sliding Diffuser Lens out and free from the Light Head.

Repeat the steps above two (2) more times with the other two (2) Light Panels. The Nomad® Transformer® has three (3) Sliding Diffuser Lens.

FOR RE-INSTALLATION: Repeat the steps above in reverse order.

GENERAL MAINTENANCE TIPS

- ❏ The Nomad® Transformer® reaches a full charge in approximately 8 hours. (Charge time may depend on ambient conditions and battery health).
- ❏ Please DO NOT leave AC-DC Adaptor plugged into Nomad® charged for more than eight (8) continuous hours.
- ❏ Maintain the light fully charged at all times, so that it is ready for use in the event of an emergency.
- ❏ If used outdoors in cold weather for an extended period of time, allow the Nomad® to warm up to above 10°C/50°F before charging.
- ❏ Lithium-Ion batteries have a 500 full charge cycle life (CC followed by a CV cycle)*. When the light gets near this number of cycles, there will be a decrease in usage time. *CC=Constant Current charge (fast rate).
- ❏ The lithium-Ion batteries have a top-off or micro-charge life of around 1,200 cycles or more (CV only)*. If the Nomad® is unused for 60 to 90 days, plug in the AC-DC Adaptor for 1 to 2 hours to bring the batteries back up to peak charge. *CV=Constant Voltage charge (slow rate).
- ❏ When charging your Nomad®, keep the temperature between 32°F and 113°F (0°C and 45°C).
- ❏ If the AC-DC Adaptor or DC Cord is being used, disconnect it from the Nomad® and store.
- ❏ As needed, wash the Nomad® Transformer® using a soft washcloth, clean water, and a mild soap. When done, pat dry with a soft cloth.

WARNINGS WHEN STORING

- ❏ The Nomad® depends on “ambient air” for the cooling of its Light Head. After being ON for a while, the Nomad® Transformer® Heatsink Fins (which help disperse heat) behind the Light Head will become warm to the touch (possibly hot) depending upon the run time, setting, and/or air temperature. The warmer the ambient air temperature is, the faster the head’s temperature will increase.
- ❏ When it is time to put the Nomad® Transformer® away, either wait for the unit to cool off (usually 10–20 min) or protect hands (with work gloves or a cloth) when adjusting the Light Head.
- ❏ Make sure to turn OFF the Remote Switch to prevent battery drain OR accidental activation.

WARRANTY AND OTHER INFORMATION

PRODUCT DURABILITY



3 M



1 M



IPX7

CARE/CLEANING

Your FoxFury product is a professional tool. Regular maintenance and care of your light will maximize performance for you. As needed, wash your FoxFury product using a soft washcloth, clean water and a mild soap. Be sure that all parts are reassembled securely before washing. When done, pat dry with a damp cloth.

AVAILABLE ACCESSORIES

- ❖ Nomad® Transformer® AC Adaptor and DC Cord Set, P/N 600-130
- ❖ Nomad® Transformer® Power Pack P/N 200-514-E
- ❖ Nomad® Transformer® Light Head P/N 200-515-L
- ❖ Nomad® Transformer® Tripo-Scope® P/N 200-513-T
- ❖ Nomad® Transformer® Extension (2.8 ft / 85 cm), P/N 85-600
- ❖ Nomad® Transformer® Hard Case P/N 850-200-1200
- ❖ Nomad® Transformer® Tripo-Scope® Bag, P/N 850-200-513
- ❖ Nomad® Transformer® Light Head Bag, P/N 850-200-515
- ❖ Sliding Diffuser Lens, P/N 600-011
- ❖ FoxFury Duffel Bag, P/N 850-400

WARNINGS

FoxFury, LLC is not responsible for the incorrect use of any FoxFury Lighting product.

- ❖ When used for extended periods of time the Nomad® will become HOT to the touch. Please use care when operating.

- ❖ Lights are strong enough to cause damage to the human eye.
- ❖ Do not stare into LEDs for long periods of time or from a close range (less than 2 ft or 0.6 m).
- ❖ FoxFury, LLC is not responsible for any injury or damage caused during the use of this product.
- ❖ Usage of this product must be supervised by an adult when it is being used by a minor.
- ❖ Any FoxFury product should be operated at speeds safe enough to maneuver around surrounding obstacles.
- ❖ Do not use under the influence of drugs or alcohol.

LIMITED LIFETIME WARRANTY

FoxFury, LLC (“FoxFury”) warrants this product to be free from defects in material for a lifetime of use except for batteries, LEDs, abuse, and normal wear. Mechanical components subjected to constant deformation or action, like springs and switches, and electronic components including chargers and LEDs are warranted for a period of two years from the time of purchase. FoxFury will repair or replace a product should it be determined defective.

Rechargeable batteries are consumable items, and carry a pro-rated 2 year warranty. Example: If a problem arises after one year of use, only 50% of the replacement cost will be charged, as long as the batteries are verified to have been charged, stored, and used in accordance with required practices.

This limited lifetime warranty is given only to the original end user of the accompanying product. If you purchased a product from someone other than an authorized FoxFury reseller/distributor or if the product was used, (including but not limited to demo models, show models or refurbished product by someone other than FoxFury) prior to your purchase, you are not the Original Purchaser and the product that you purchased is not covered by this warranty. This limited warranty is VOID if this Product has been altered or modified in any way (including but not limited to attempted warranty repair without authorization from Foxfury and/or alteration/removal of the serial number). To expedite warranty concerns, we encourage the end user to register their FoxFury Product at www.foxfury.com/pages/warranty-registration.

THIS IS THE ONLY WARRANTY, EXPRESSED OR IMPLIED, INCLUDING ANY WARRANTY OF MERCHANTABILITY OR FITNESS FOR A PARTICULAR PURPOSE. INCIDENTAL, CONSEQUENTIAL OR SPECIAL DAMAGES ARE EXPRESSLY DISCLAIMED EXCEPT WHERE SUCH LIMITATION IS PROHIBITED BY LAW.

You may have other specific legal rights which vary by jurisdiction. Go to www.foxfury.com/pages/warranty for a complete copy of the warranty. Retain your receipt for proof of purchase.

CONTACT FOXFURY

FoxFury, LLC
Oceanside, CA 92056 USA
Toll-Free: 844-FOXFURY
Tel: 760.945.4231
Fax: 760.433.3650
Email: service@FoxFury.com
Web: FoxFury.com

All FoxFury products are designed in Oceanside, CA. All FoxFury products are manufactured with the highest quality USA and foreign parts. Products are assembled in either FoxFury's controlled plant in Asia or the USA, under strict quality control.

CALIFORNIA PROPOSITION 65

This product can expose you to chemicals including Lead and DEHP, which are known to the State of California to cause cancer and birth defects or other reproductive harm. For more information go to www.P65Warnings.ca.gov.

