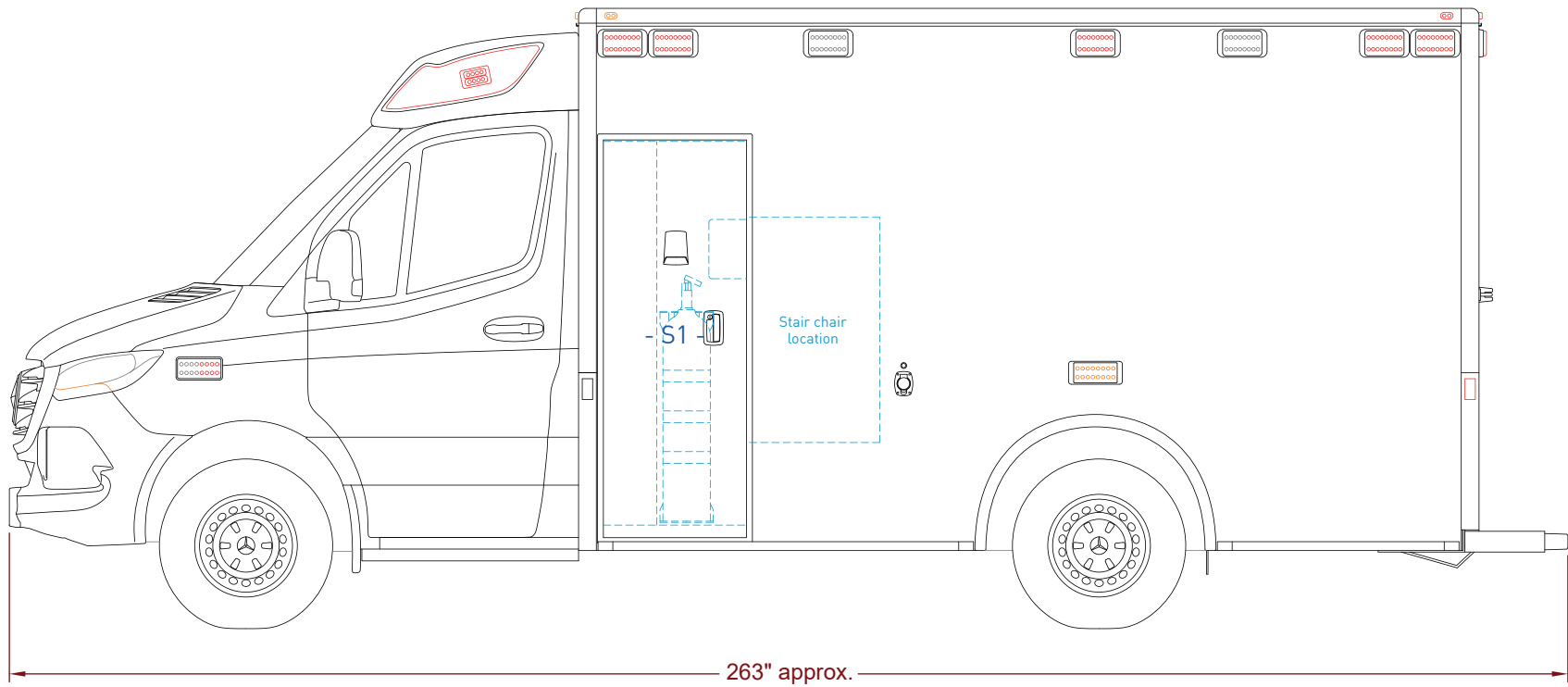
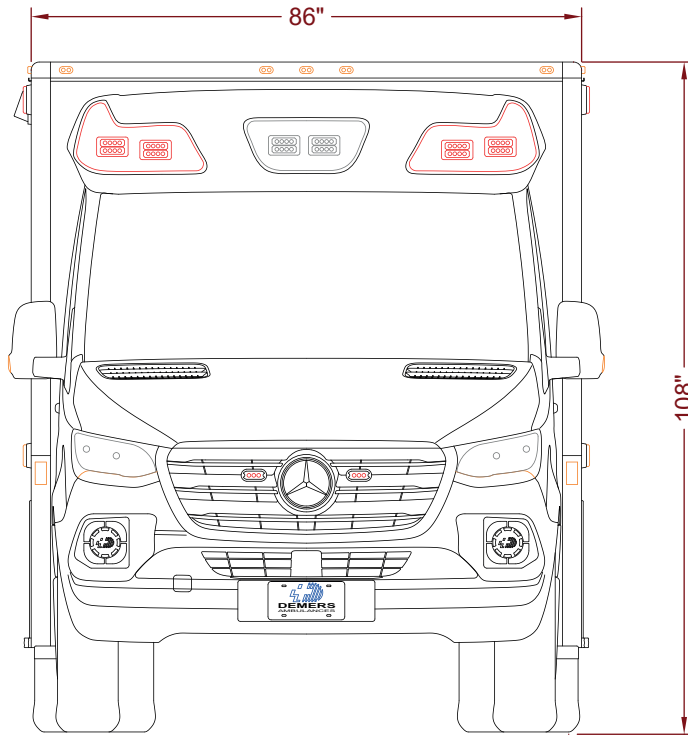


COMPARTMENT	DIMENSIONS L x H x D
Compartment - C1	21.00" x 50.50" x 23.50"
Compartment - C3	24.50" x 11.25" x 16.00"

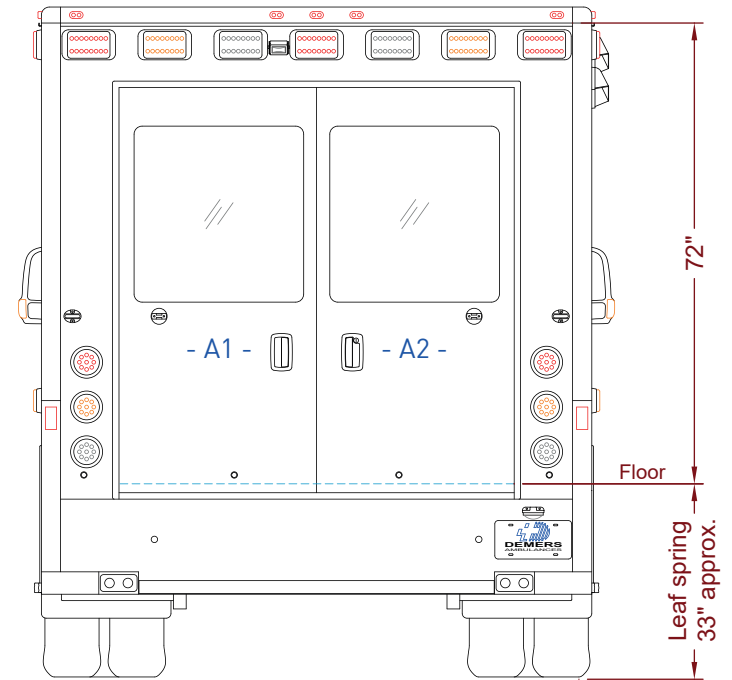


COMPARTMENT	DIMENSIONS L x H x D
Compartment - S1	23.00" x 64.75" x 16.00"
Stair chair comp.	22.50" x 38.00" x 9.50"



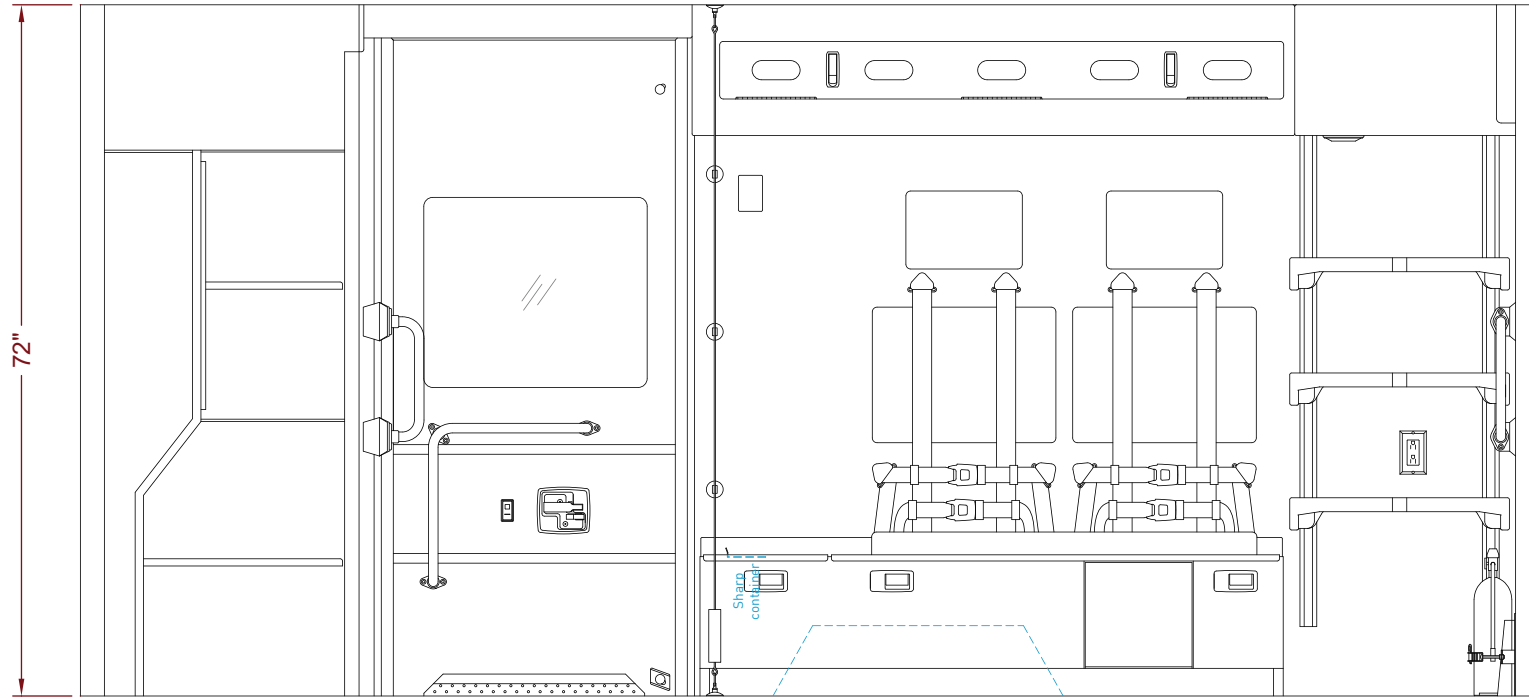
Note

The total height of the vehicle can be different according to chassis and suspensions



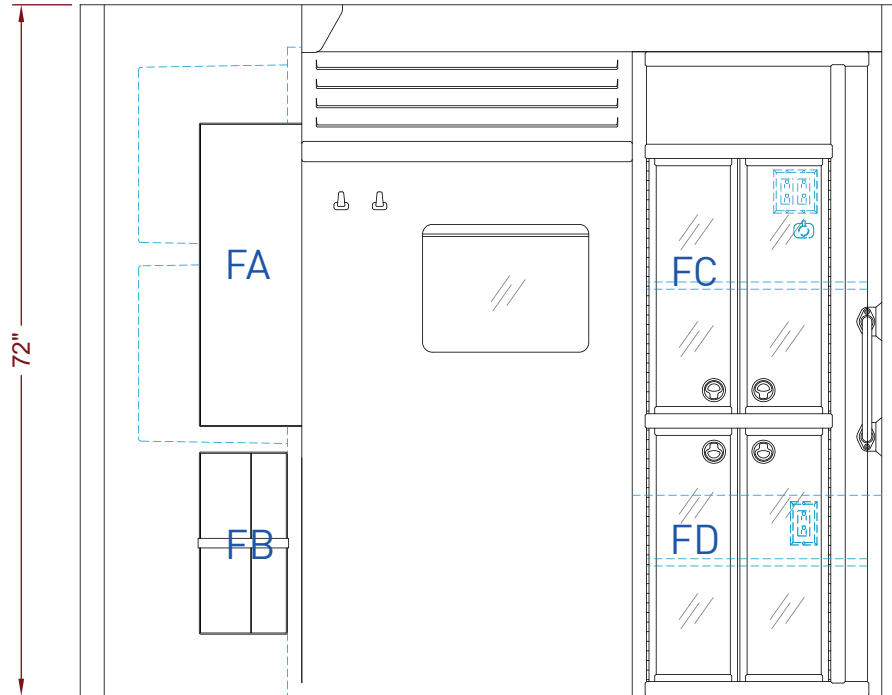
Note

The loading height can be different according to chassis and suspensions

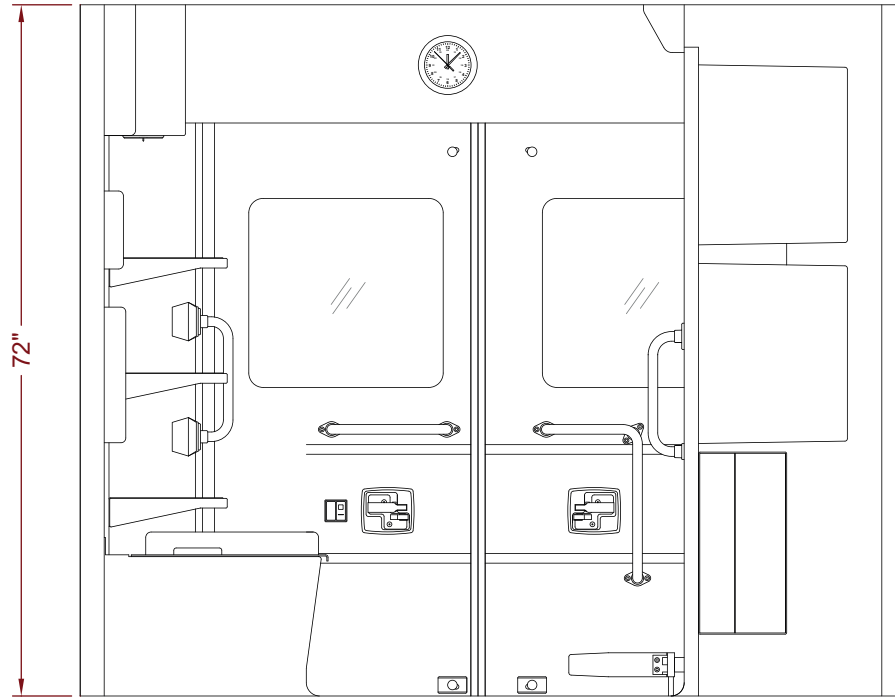


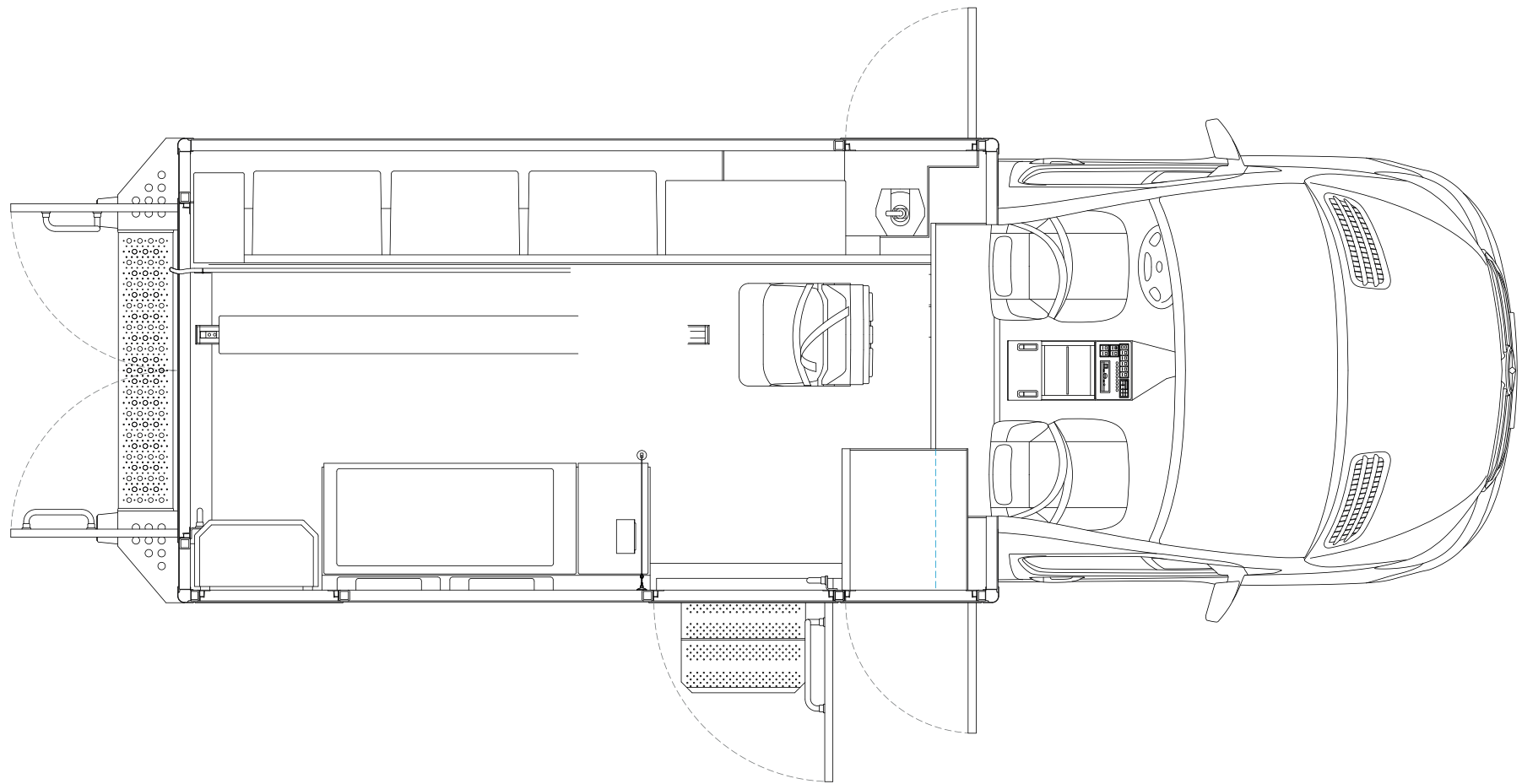


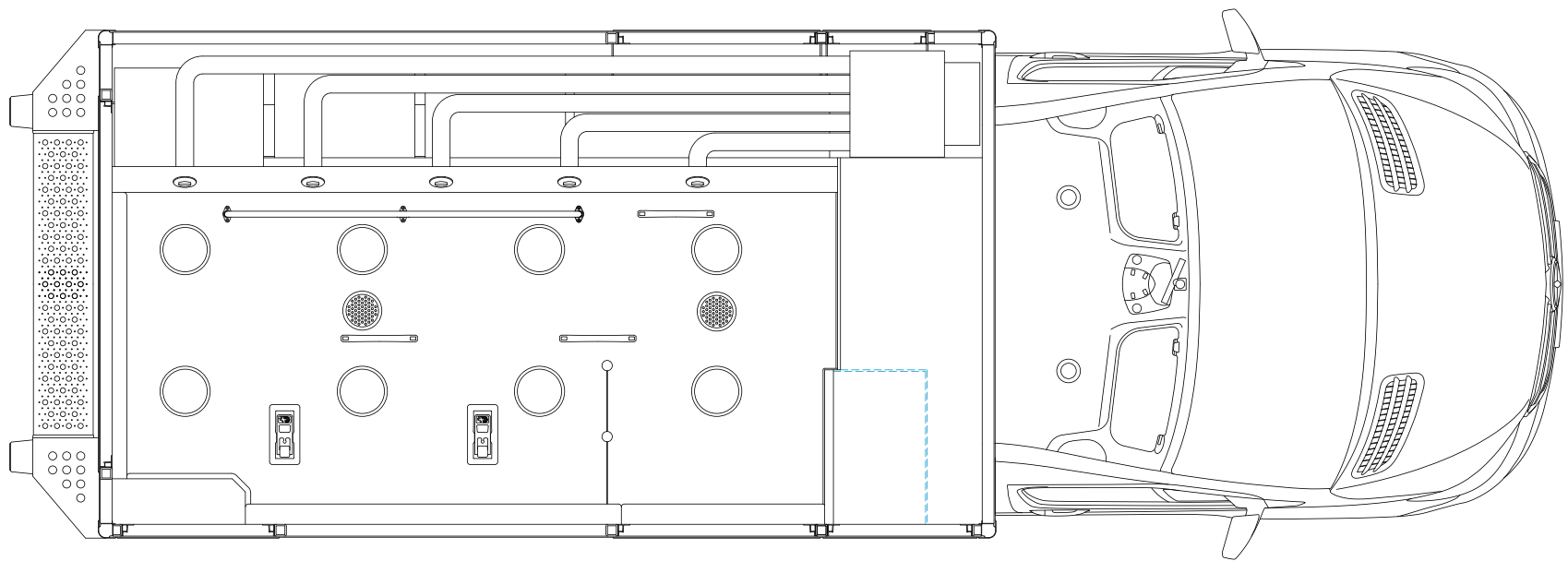
COMPARTMENT	DIMENSIONS L x H x D
Medical cabinet - SA	23.75" x 18.75" x 15.50"
Medical cabinet - SB	33.25" x 13.75" x 13.75"

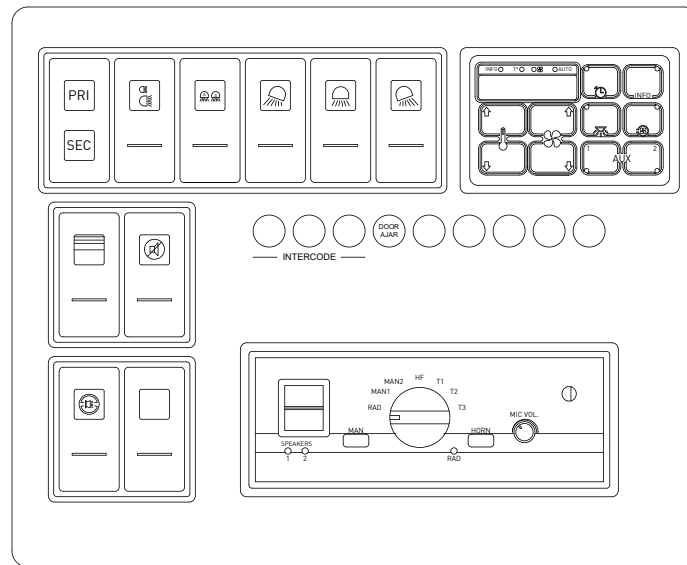


COMPARTMENT	DIMENSIONS L x H x D
Storage comp. - FA	15.75" x 39.50" x 9.00"
Backboard comp. - FB	8.75" x 18.25" x 73.25"
High ALS comp. - FC	23.50" x 27.00" x 21.00"
Low ALS comp. - FD	23.50" x 28.50" x 21.00"

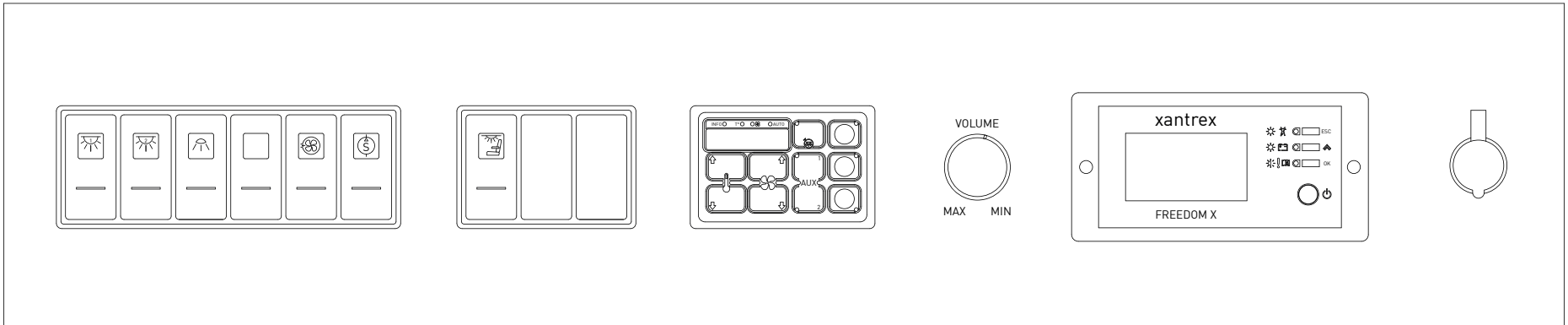




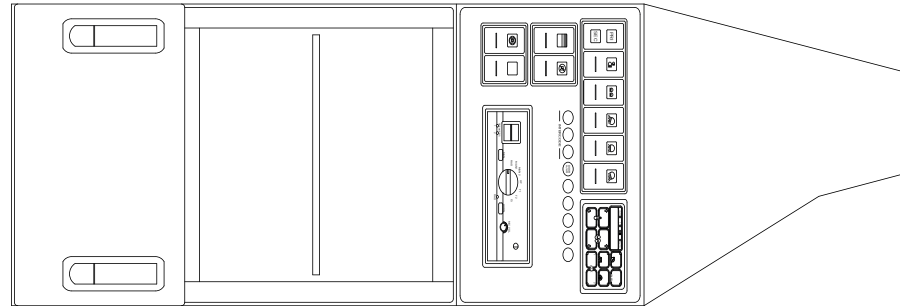




Streetside console



Top view



Side view

